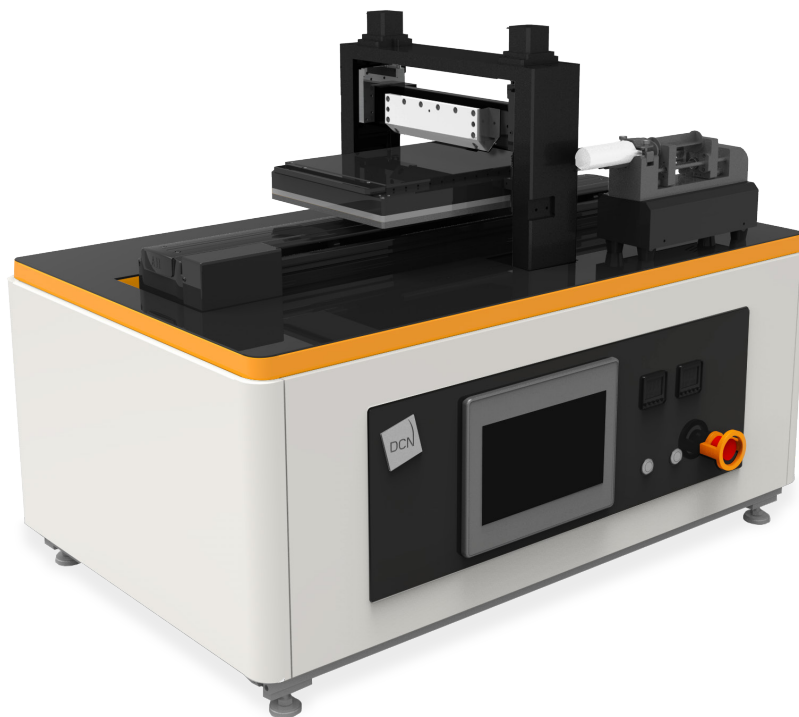
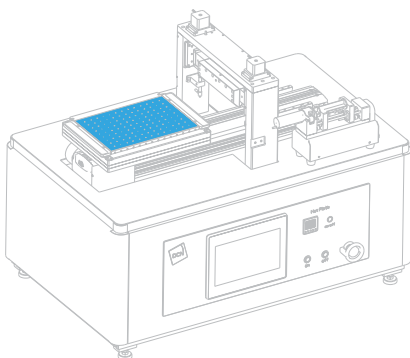


MINI SLOT DIE COATER

MACHINE INFORMATION

- Sheet type Basic coater with selection of slot die, bar, Dr, blade
- Excellent of reproducible and repeated test
- Built in syringe pump and recipe storage function
- Precise height control of Slot Die using displacement sensor and stepping motor

SCHEMATIC DRAWING



SPECIFICATIONS

Unit : mm

MODEL	SIZE	SPEED	COATING AREA	SLOT DIE SIZE
MSDC180	1020 x 650 x 750(H)	1 ~ 100mm/s	180 X 250	230 X 40 X 60
MSDC370	1320 x 850 x 750(H)	1 ~ 100mm/s	370 X 470	400 X 40 X 60

DETAILS

